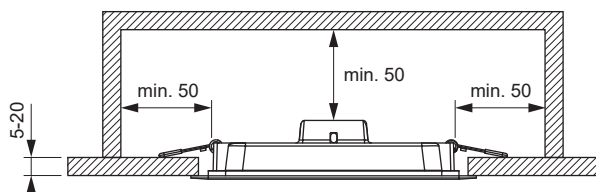
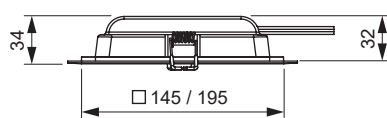
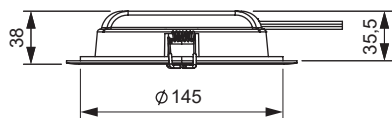
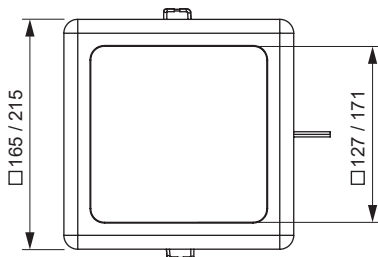
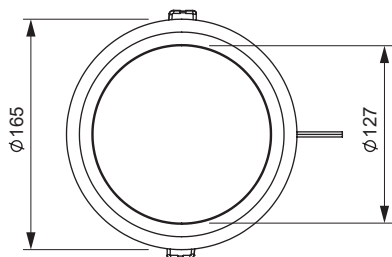
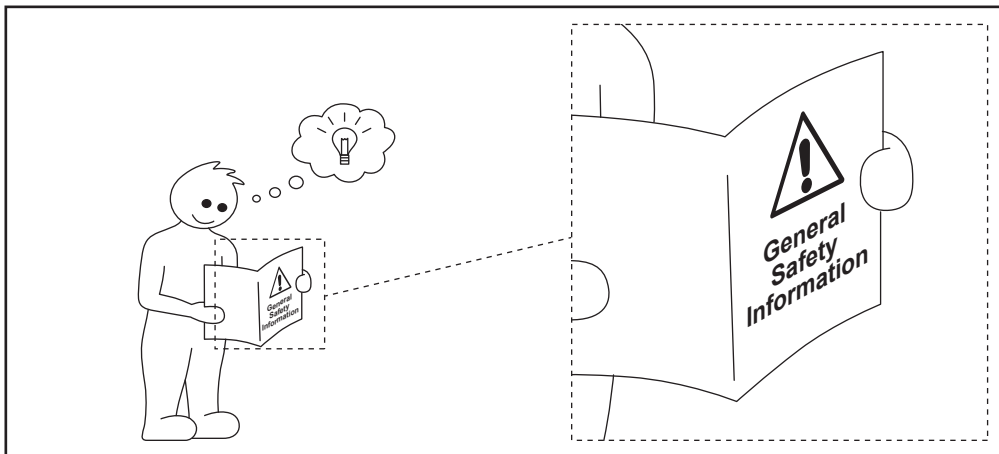


LED Downlight

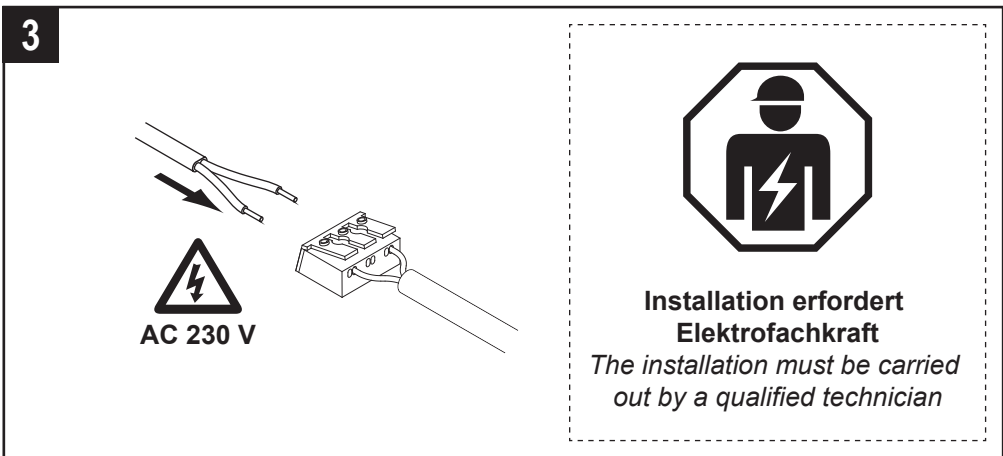
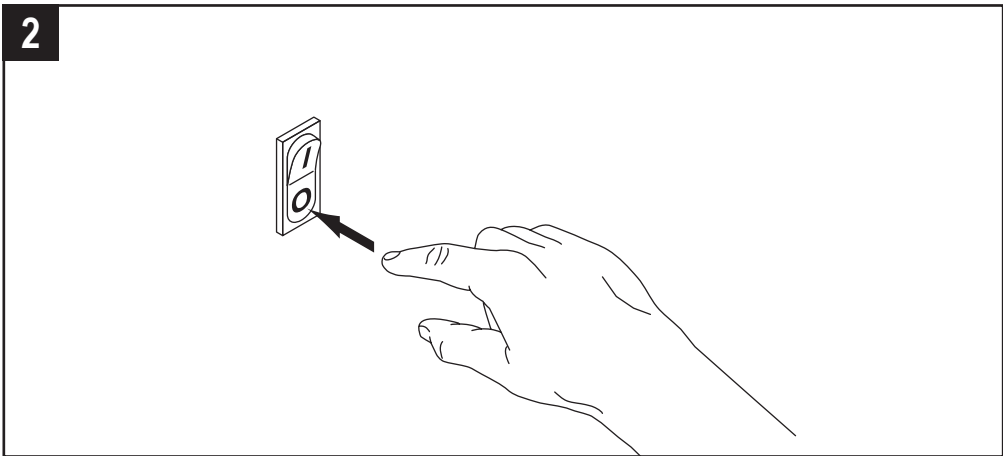
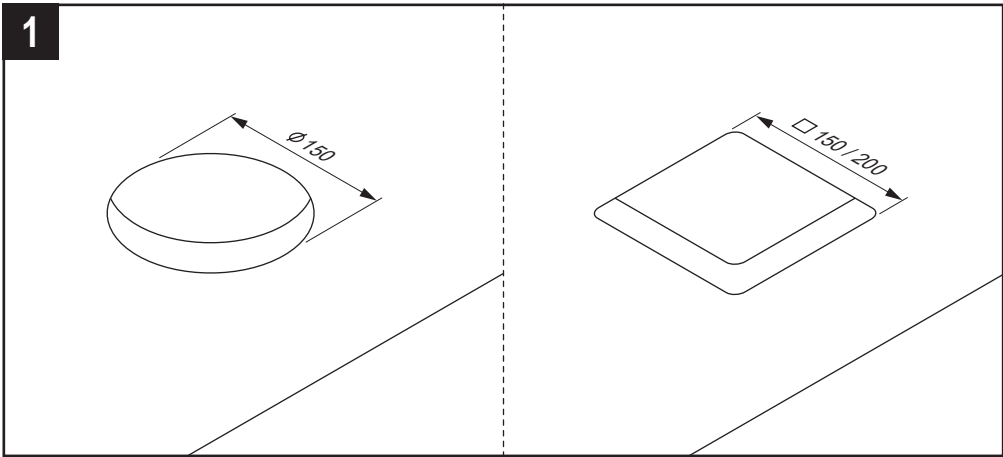
~ 220-240 V / 16 W

~ 220-240 V / 24 W

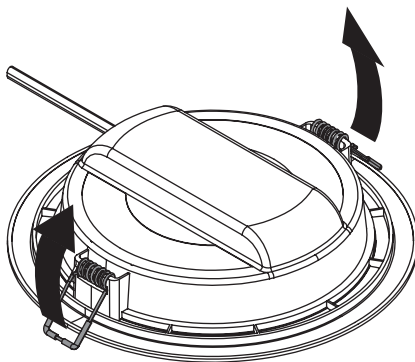
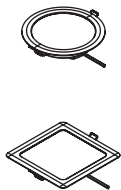




Ø / □ (mm)	P (W)	I (mA)	λ= P /S
Ø 165	16	134	0,55
□ 165	16	143	
□ 215	24	209	



4



5

