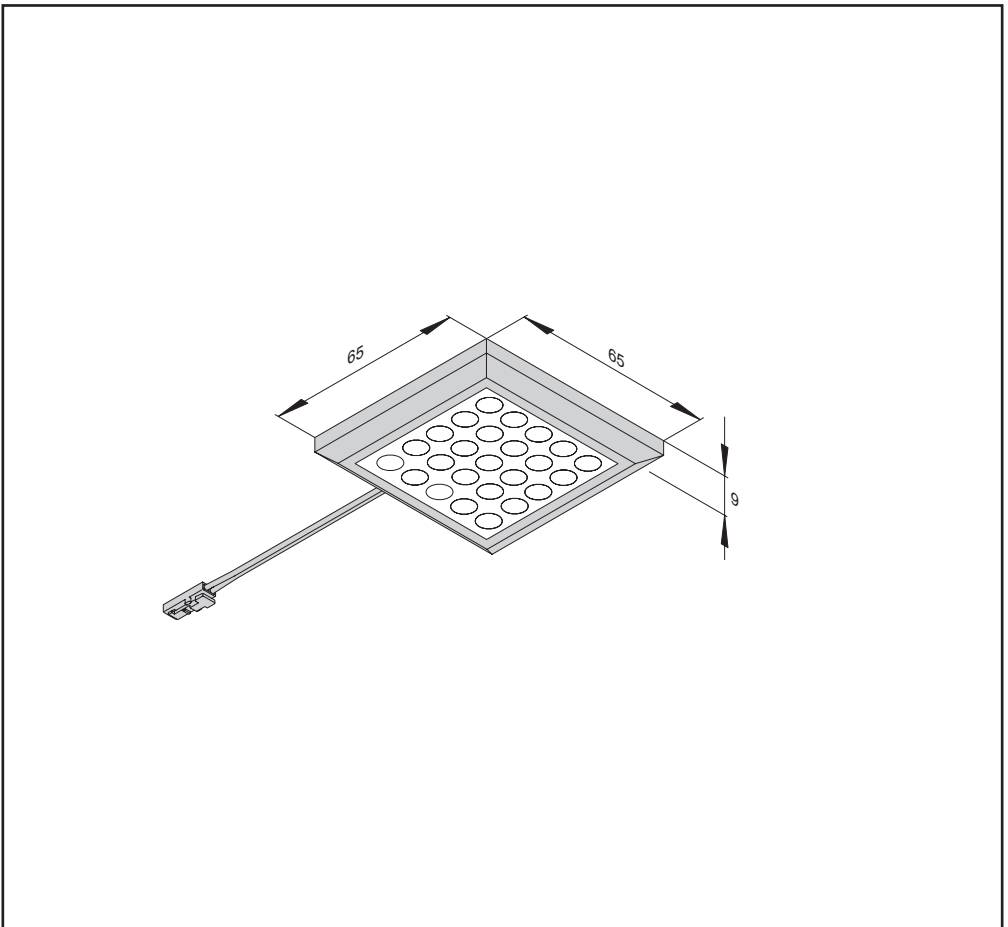
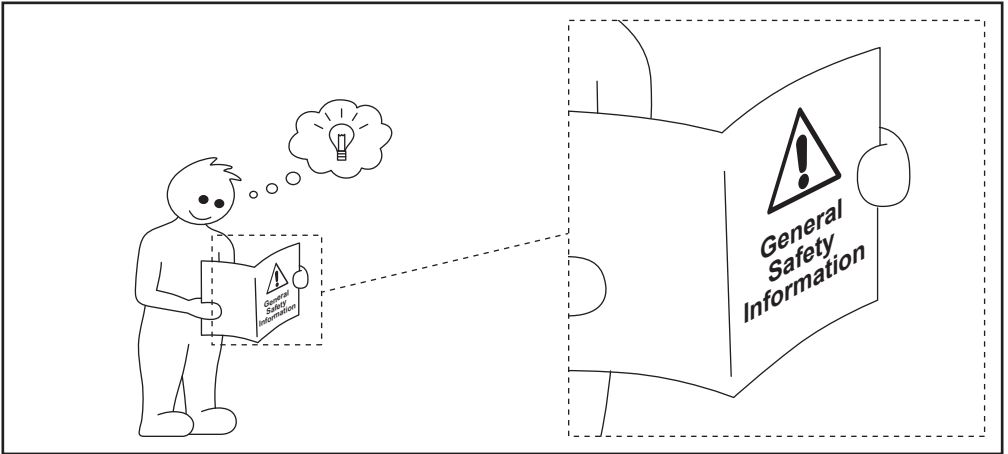


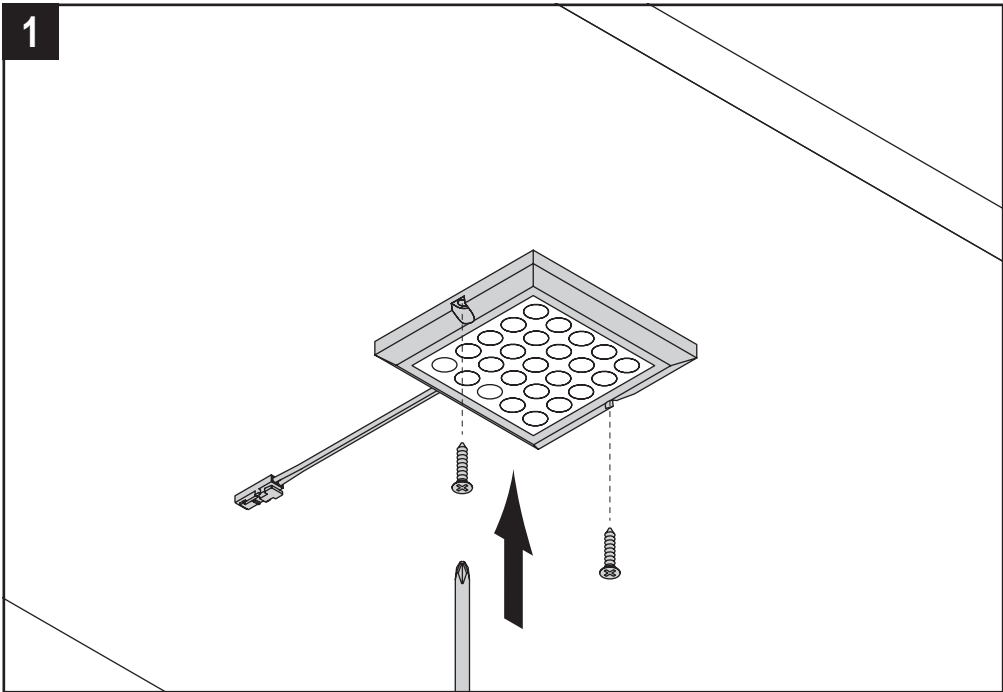
# Matrix

DC 24 V / 2,0 W

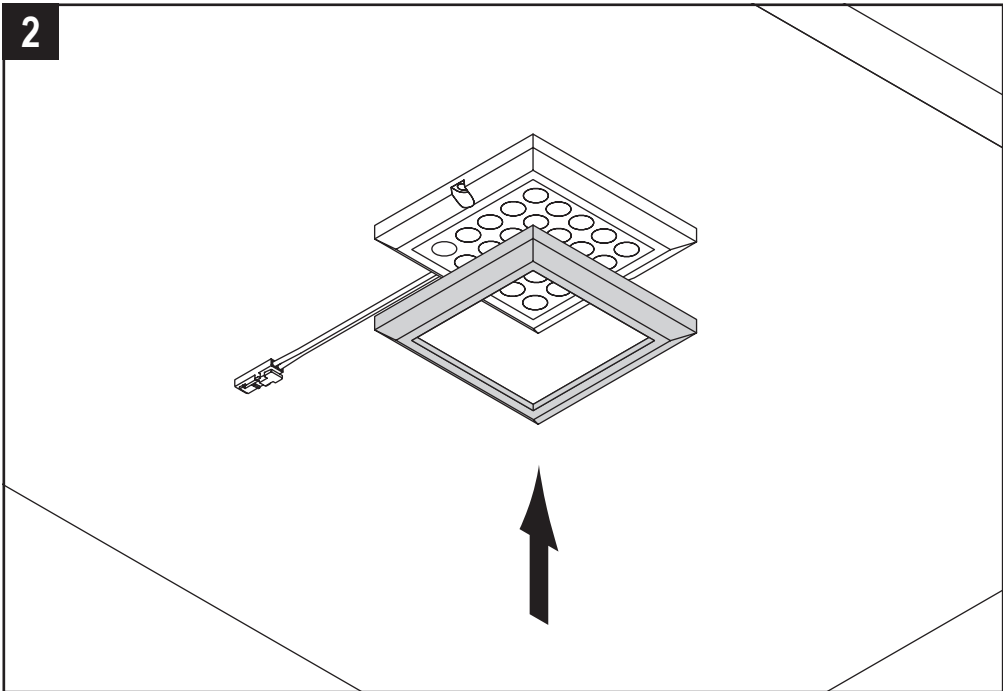




1



2



3

